

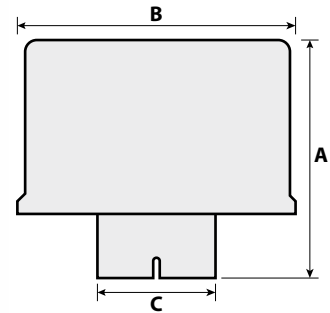


Top Filtration  
Pre-cleaners

**TOP**FILTRATION EUROPE

## TA SERIES METAL PRE-CLEANERS

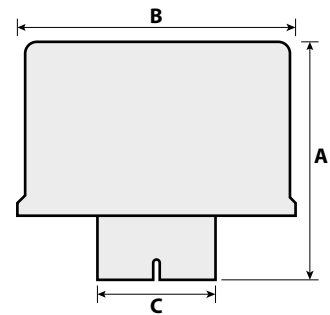
- Heavy duty, non-rusting aluminum and stainless steel construction, yet lightweight, requiring no additional clamps or supports
- Curved and angled vanes to direct the air flow to maximize cleaning efficiency
- Stamped one-piece stainless steel impeller is precisely balanced, eliminating vibration, noise and premature bearing failure
- Rugged one piece aluminum hood and body
- Stainless steel impeller and clamp



Partnumber	Type	m <sup>3</sup> /min from-to	Height A (mm)	Diameter B (mm)	Connector C (inch)	Weight in kg
52-12000	TA-200	0,6 - 2,8	80	121	2	1,0
52-22550	TA-255	2,8 - 5,6	108	152	2,5	1,4
52-43300	TA-330	4,0 - 9,8	120	210	3	2,3
52-44401	TA-440S	4,0 - 9,8	120	210	4	2,3
52-54450	TA-445	8,5 - 16,8	181	270	4,5	3,6
52-55500	TA-550	8,5 - 16,8	181	270	5	3,6
52-56601	TA-660S	8,5 - 16,8	181	270	6	3,6
52-66600	TA-660	11,0 - 23,8	181	311	6	4,1
52-77701	TA-770L	14,0 - 39,0	184	360	7	5,0
52-78800	TA-880	14,0 - 39,0	184	360	8	5,0
52-89900	TA-990	25,2 - 56,5	206	435	9	6,4

## TA-EX SERIES METAL PRE-CLEANERS

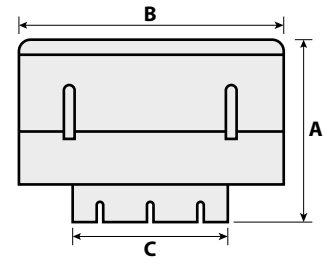
- Heavy duty, non-rusting aluminum and stainless steel construction, yet lightweight, requiring no additional clamps or supports
- Curved and angled vanes to direct the air flow to maximize cleaning efficiency
- Stamped one-piece stainless steel impeller is precisely balanced, eliminating vibration, noise and premature bearing failure
- Rugged one piece aluminum hood
- Stainless steel body, impeller and clamp



Partnumber	Type	m <sup>3</sup> /min from-to	Height A (mm)	Diameter B (mm)	Connector C (inch)	Weight in kg
51-10200	TA - EX 20	0,56 - 2,8	86	133	2"	0,45
51-20250	TA - EX 25	2,8 - 5,6	108	165	2,5"	0,8
51-20330	TA - EX 30	2,8 - 5,6	127	165	3"	1,3
51-40400	TA - EX 40	5,6 - 11,3	149	225	4"	1,7
51-50500	TA - EX 50	10,0 - 20,0	190	286	5"	3
51-60600	TA - EX 60	14,0 - 27,0	197	324	6"	3,3
51-70700	TA - EX 70	21,0 - 38,0	216	375	7"	5,5
51-80800	TA - EX 80	26,6 - 44,8	216	375	8"	5,5

## COMPOSITE PRE-CLEANERS

Low cost, low weight, installable in any position pre-cleaner with dimensioned for up to 550 HP.

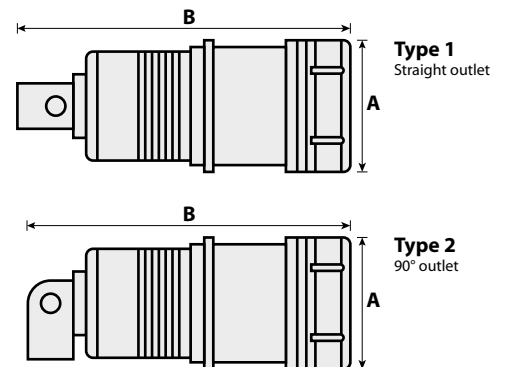


Partnumber	Type	m <sup>3</sup> /min from-to	Height A (mm)	Diameter B (mm)	Connector C (inch)	Weight in kg
53-20020	TA-1,5-3/20	0,08 - 0,6	57,2	88,9	1,5	0,19
53-20000	TA-2-20/150	0,57 - 2,8	76,2	120,7	2	0,25
53-20300	TA-3-300	2,1 - 7,1	102	177,8	3	0,68
53-20465	TA-4-465	4,3 - 13,2	136,5	238,1	4	1,3
53-20650	TA-545-250/600	7,1 - 17,0	177,8	279,4	4,5	1,4
53-20700	TA-55-250/600	7,1 - 17,0	177,8	279,4	5	1,4
53-20600	TA-56-250/600	7,1 - 17,0	177,8	279,4	6	1,4
53-21000	TA-6-350/1100	9,9 - 24,1	184,2	304,8	6	2,6

## INTEGRATED VLR FILTER PRECLEANER

### VLR FILTER

The Integrated VLR offers a four stage filtration system which is more efficient and less restrictive than traditional tangent entry canister alone. The VLR incorporates Top Filtration's well know dynamic precleaner with a static precleaner into a dual element filter canister.

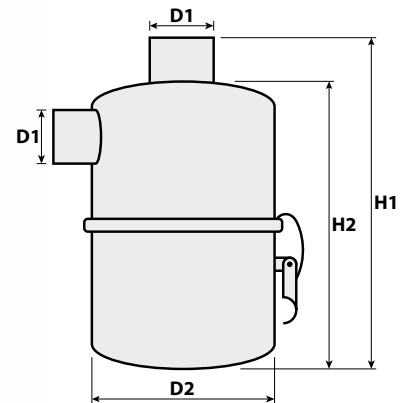


Partnumber	Type	Connector inch	flow m <sup>3</sup> /min from-to	Element safetyfilter	Element filter	A wide (mm)	B length (mm)
53-10305	VLR 1,75"	1,75"	0,5 - 2,4	53-00020	53-00015	137	338
53-10310	VLR 1,75" 90°	1,75"	0,5 - 2,4	53-00020	53-00015	137	338
53-10325	VLR 2"	2"	0,8 - 3,6	53-00030	53-00025	161	502
53-10330	VLR 2" 90°	2"	0,8 - 3,6	53-00075	53-00070	161	502
53-10350	VLR 2,5"	2,5"	1,0 - 5,7	53-00075	53-00070	181	512
53-10355	VLR 2,5" 90°	2,5"	1,0 - 5,7	53-00075	53-00070	181	512
53-10315	VLR 3"	3"	1,4 - 7,0	53-00010	53-00005	208	533
53-10320	VLR 3" 90°	3"	1,4 - 7,0	53-00010	53-00005	208	533
53-10335	VLR 4"	4"	5,6 - 12,6		53-00035	254	450
53-10340	VLR 5"	5"	9,8 - 23,8	53-00060	53-00045	362	813
53-10345	VLR 6"	6"	9,8 - 23,8	53-00065	53-00050	362	813



## OILBATH AIRFILTERS IN COMBINATION WITH 2 TA SERIES

Oilbath Airfilters in combination with Top Filtration precleaners is the solution for dusty environments. Available in 6 different sizes.



Partnumber	Type	Connect. D1 (mm)	Diam. D2 (mm)	Height H1 (mm)	Height H2 (mm)	m <sup>3</sup> /min
84-60006	OBL-6	57	164	293	252	3
84-60007	OBL-7	57	164	348	307	4
84-60008	OBL-8	65	187	385	334	5.5
84-60009	OBL-9	93	266	451	397	8
84-60010	OBL-10	93	266	529	475	10
84-60011	OBL-11	114	322	558	503	12

## ACCESSORIES

Top Filtration has a large product line adapters and accessories for various applications.

- Rubber insert extrusion
- Reducer adapter
- Straight stack extension
- Expansion adapter
- Universal adapter
- Prescreen



# TOPFILTRATION EUROPE

**Top Filtration Europe BV**

Zuiddijk 1 | 5705 CS | Helmond | The Netherlands

Post Office Box 6070 | 5700 ET | Helmond | The Netherlands

phone 0031 492 523 718 | fax 0031 492 527 058 | e-mail [info@topfiltrationeurope.com](mailto:info@topfiltrationeurope.com)

[www.topfiltrationeurope.com](http://www.topfiltrationeurope.com)